

SGR 10-200-020-B1-C-M-07-5**Self-Contained Light Curtains**

Light Curtains

Compatible Transmitter:

SGT 10-200-020-B1-C-M-01-5



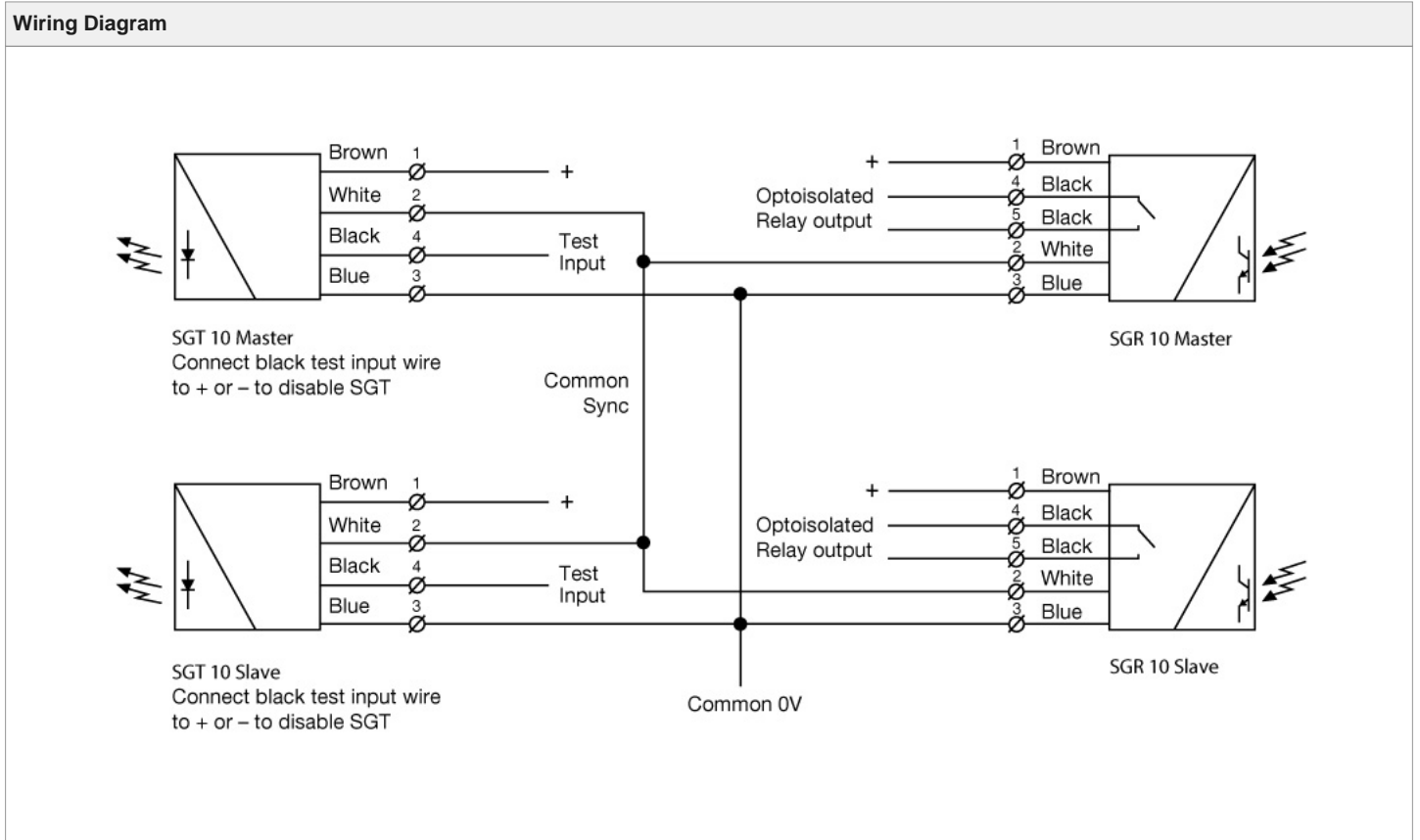
Product Data	
Function	Receiver-Master
Operation Mode	Thru Beam
Supply Voltage	12 - 36 V dc / 24 V ac
Connection	5 m cable
Sensing Range	10 m
Number of Channels	20
Output	Solid State Relay
Output Status	N.C.
Response	< 90 ms
Length	2000 mm
Active Height	1755 mm
Housing	12 x 30 mm

Technical Data	
Supply Voltage	12 – 36 V dc / 24 V ac
Reverse Polarity Protected	Yes
Short Circuit Protected	Yes
Current Consumption	Max. 100 mA
Output Rating	200 mA
Spacing between bottom & Ch1	25 mm
Distance, Beams Pinch Point	46 mm
Channel Spacing	92 mm
Response Time	< 90 ms
Power On Indicator	Green LED
Output Indicator	Yellow LED
System Status Indicator	Red LED
Profile Dimensions (w x d)	Slim Line (C), 12 x 30 mm
Housing Material, Front Lens	Polycarbonate

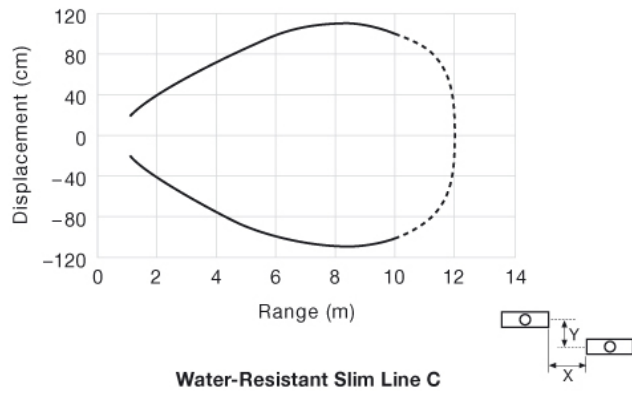
Housing Material, Profile	Aluminium (black anodised)
Cable	5 x 0,20 mm ²
Cable Sleeve	PVC Ø 4,9 mm

Environmental Data	
Operation Temperature	-20 to +65 °C
Storage Temperature	-40 to +80 °C
Sealing Class	IP 67
Light Immunity 5*	> 100 000 lux

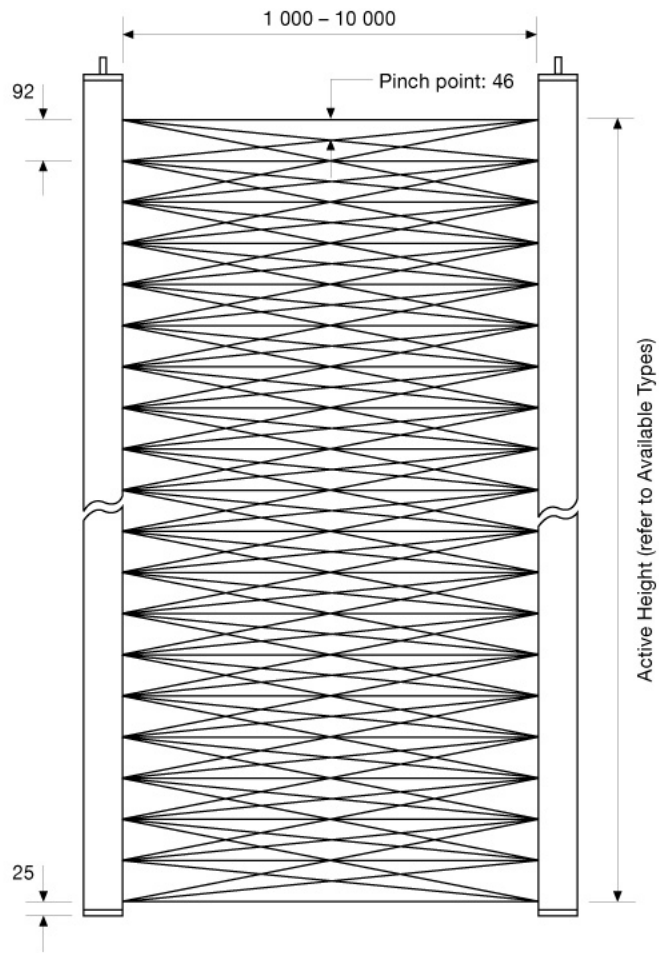
Approvals	
	



Parallel Displacement



Beam Patterns



92 mm channel spacing

