

**SGT 10-200-020-B1-C-M-01-5****Self-Contained Light Curtains**

Light Curtains

**Compatible Receivers:**

SGR 10-200-020-B1-C-M-07-5



Product Data	
Function	Transmitter-Master
Operation Mode	Thru Beam
Supply Voltage	12 - 36 V dc / 24 V ac
Connection	5 m cable
Sensing Range	10 m
Number of Channels	20
Length	2000 mm
Active Height	1755 mm
Housing	12 x 30 mm

Technical Data	
Supply Voltage	12 – 36 V dc / 24 V ac
Reverse Polarity Protected	Yes
Current Consumption	Max. 100 mA
Spacing between bottom & Ch1	25 mm
Distance, Beams Pinch Point	46 mm
Channel Spacing	92 mm
Test Input	Yes
Power On Indicator	Green LED
Light Source	Infrared (880 nm)
Profile Dimensions (w x d)	Slim Line (C), 12 x 30 mm
Housing Material, Front Lens	Polycarbonate
Housing Material, Profile	Aluminium (black anodised)
Cable	4 x 0,20 mm <sup>2</sup>
Cable Sleeve	PVC Ø 4,9 mm

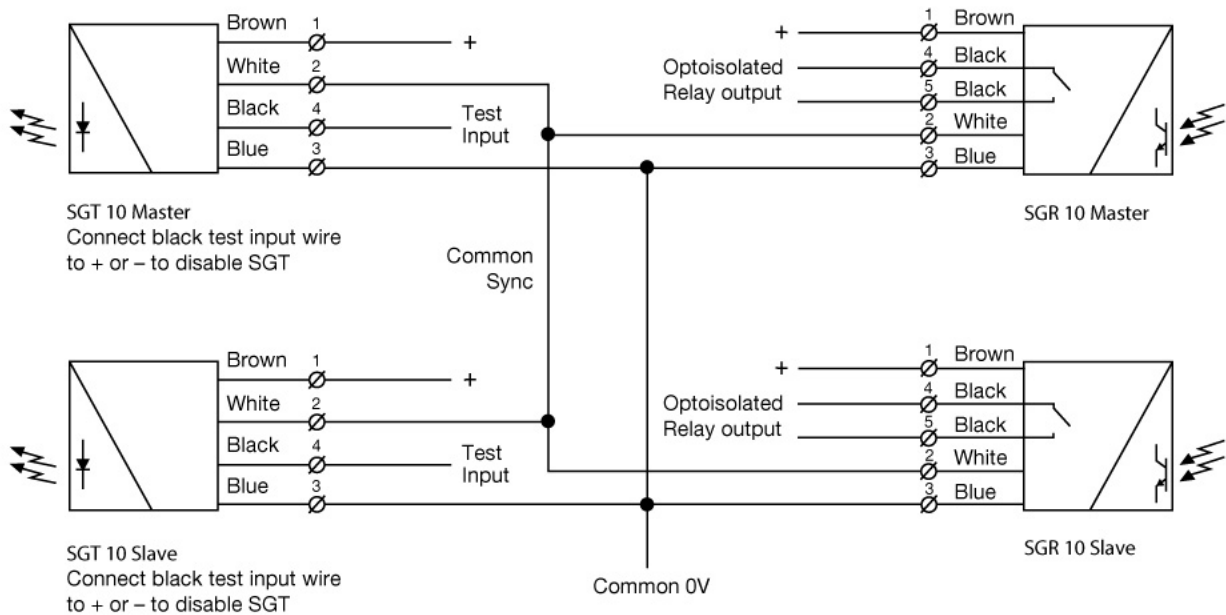
**Environmental Data**

Operation Temperature	-20 to +65 °C
Storage Temperature	-40 to +80 °C
Sealing Class	IP 67
Light Immunity 5*	> 100 000 lux

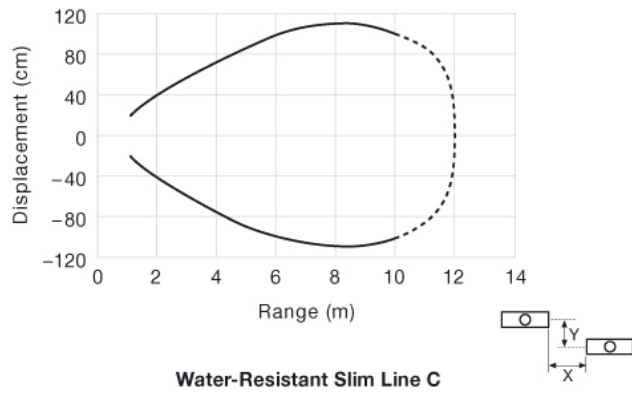
**Approvals**



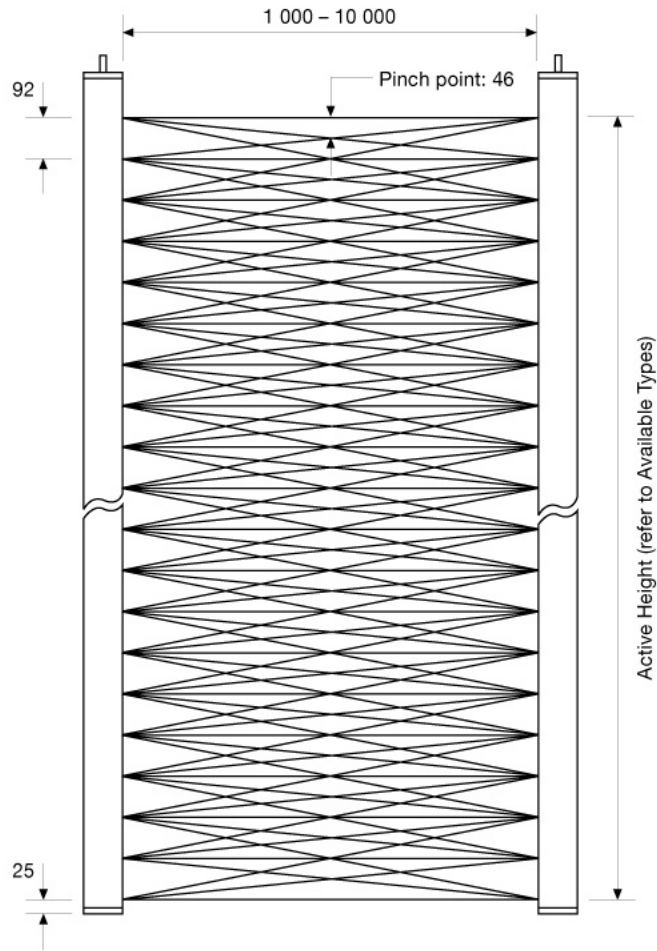
**Wiring Diagram**



Parallel Displacement



Beam Patterns



92 mm channel spacing

