



Photoelectric sensors  
W34, Through-beam photoelectric sensor

WS/WE34-V540



**Model Name** > [WS/WE34-V540](#)  
**Part No.** > [1019252](#)



*Illustration may differ*

**At a glance**

- High operating reserve at a long range
- Switch selectable PNP or NPN output and light/dark switching
- Versions with DC voltage (10...30V) or universal AC/DC voltage (12 ... 240 V DC / 24 ... 240 V AC)
- Optional test input, adjustable ON and OFF time delays, alarm output
- M12 or terminal chamber connection: 90° rotatable
- UL approval

**Your benefits**

- High operating reserve at a long range minimizes downtime
- Alarm output provides early warning that maintenance may be needed
- Test input allows users to validate that the sensor is operating as expected
- The sensor cover protects configuration components against environmental hazards
- Adjustable time delay, alarm output, test input, and universal AC/DC voltage provide additional flexibility and reduce the number of part numbers needed



**Features**

Sensor/detection principle:	Through-beam photoelectric sensor
Dimensions (W x H x D):	27 mm x 92 mm x 70 mm
Housing design (light emission):	Rectangular
Sensing range max.:	0 m ... 60 m
Sensing range:	0 m ... 60 m
Type of light:	Visible red light
Light source:	LED <sup>1)</sup>
Wave length:	660 nm
Sensitivity adjustment:	Potentiometer
Time type:	Time delay off, Switch on delay, Adjustable
Delay time:	Adjustable via time delay selector switch: 0.5 ... 10 s
Angle of dispersion:	Ca. 1 °
Light spot size (distance):	Ø 700 mm (50 m)

<sup>1)</sup> Average service life of 100,000 h at T<sub>A</sub> = +25 °C

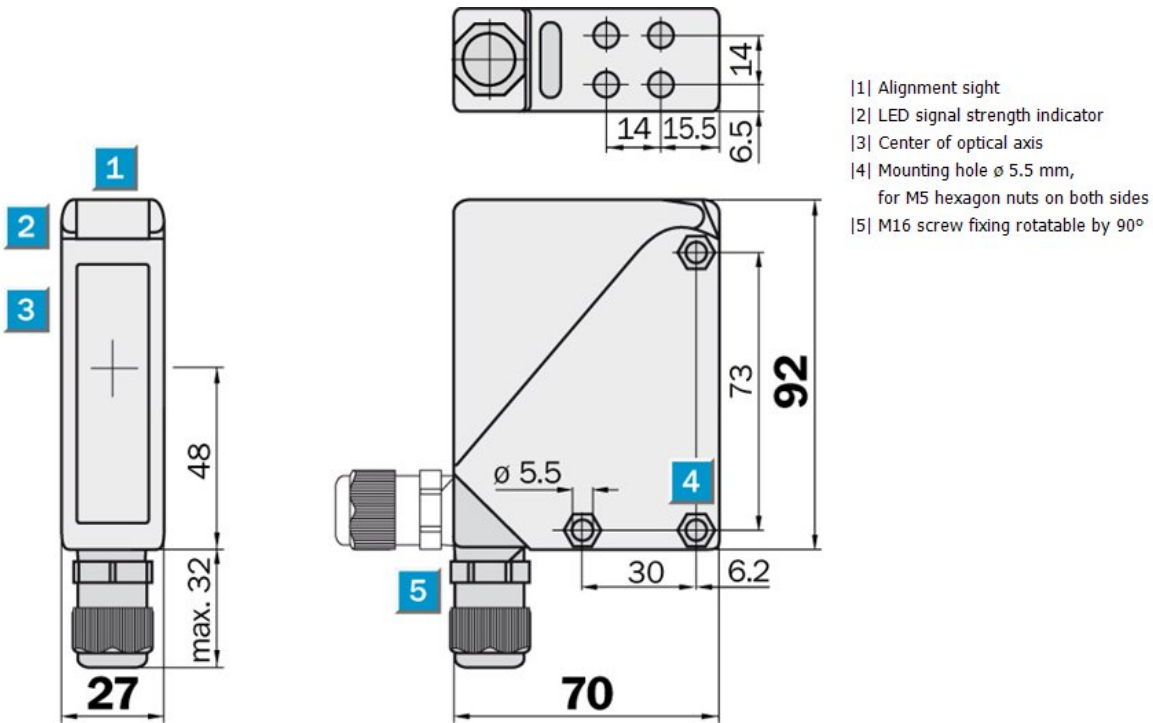
**Mechanics/electronics**

Supply voltage: 10 V DC ... 30 V DC <sup>1)</sup>

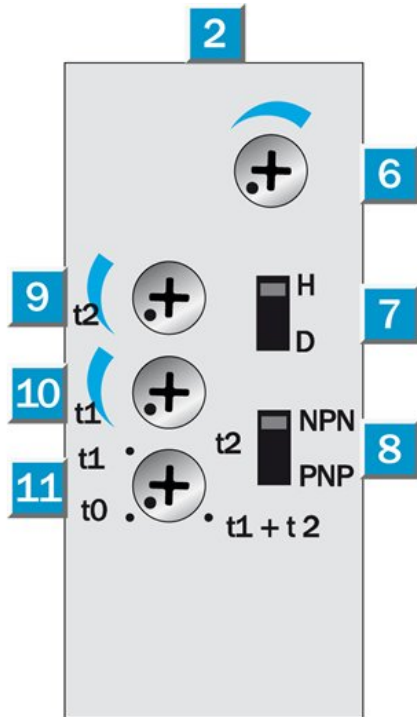
Ripple:	< 5 Vpp <sup>2)</sup>
Power consumption, sender:	50 mA
Power consumption, receiver:	40 mA
Output type:	NPN, PNP
Switching mode:	Dark-switching, Light switching
Switching mode selector:	Selectable via light/dark selector, Selectable via PNP/NPN selector
Output current I <sub>max</sub> :	100 mA
Response time:	≤ 500 μs <sup>3)</sup>
Switching frequency:	1,000 Hz <sup>4)</sup>
Angle of reception:	Ca. 2.5 °
Connection type:	Connector M12, 5-pin <sup>5)</sup>
Circuit protection:::	A, C, D <sup>6) 7) 8)</sup>
Protection class:	II <sup>9)</sup>
Weight:	280 g
Special device:	-
Housing material:	ABS, Plastic
Enclosure rating:	IP 67
Test input sender off:	TE to 0 V
Ambient operating temperature:	-40 °C ... 60 °C
Ambient storage temperature:	-40 °C ... 75 °C
UL File-No.:	UL No. NRKH.E181493 & cUL No. NRKH7.E181493
Part number of individual components:	Receiver, WE34-V540, 2022814, Sender, WS34-D540, 2022822

<sup>1)</sup> Limit values    <sup>2)</sup> May not exceed or fall short of V<sub>S</sub> tolerances    <sup>3)</sup> Signal transit time with resistive load    <sup>4)</sup> With light/dark ratio 1:1    <sup>5)</sup> Connection rotatable by 90°    <sup>6)</sup> A = V<sub>S</sub> connections reverse-polarity protected    <sup>7)</sup> C = interference suppression    <sup>8)</sup> D = outputs overcurrent and short-circuit protected    <sup>9)</sup> Reference voltage 50 V DC

**Dimensional drawing**



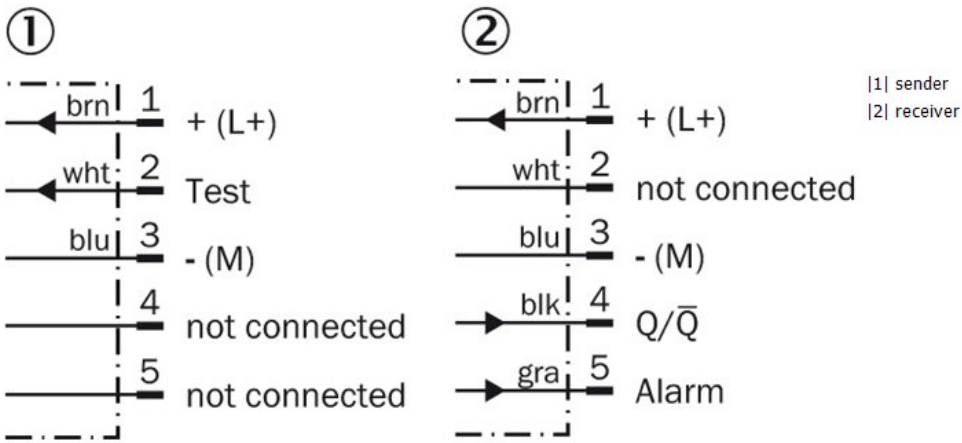
**Adjustments possible**



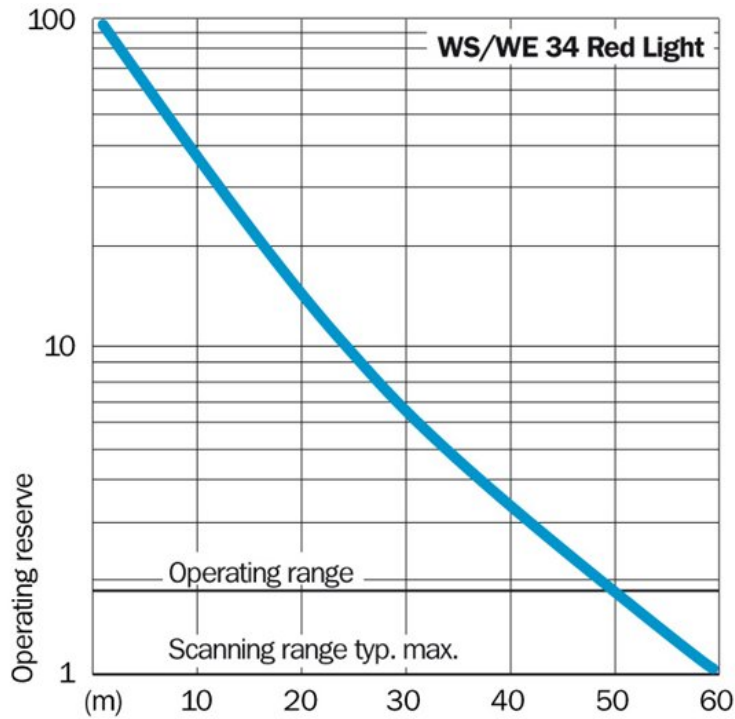
- |1| Alignment sight
- |2| LED signal strength indicator
- |3| Center of optical axis
- |4| Mounting hole  $\varnothing 5.5$  mm,  
for M5 hexagon nuts on both sides
- |5| M16 screw fixing rotatable by 90°

- |2| LED signal strength indicator
- |6| Sensitivity adjustment
- |7| Light/dark selector
- |8| NPN/ PNP selector
- |9| Time control  $t_2$ =OFF-delay
- |10| Time control  $t_1$ =ON-delay
- |11| Status indicator

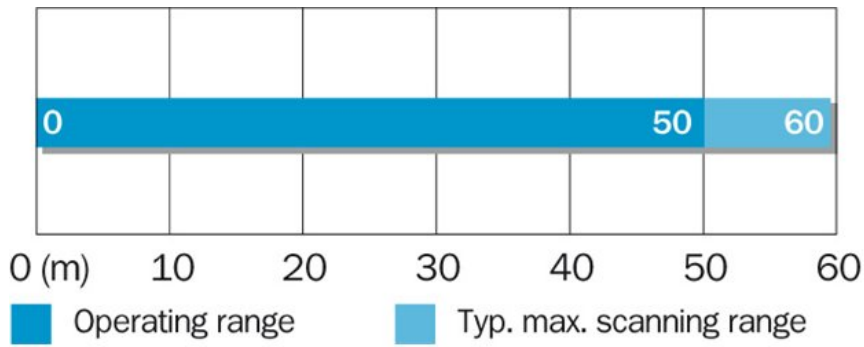
Connection diagram



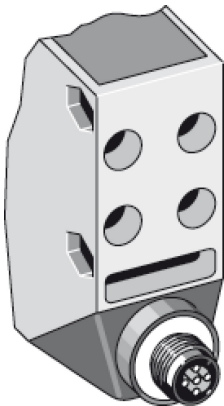
Characteristic curve



### Sensing range diagram



### Connection type



**Australia**

Phone +61 3 9457 0600  
1800 334 802 – tollfree  
E-Mail sales@sick.com.au

**Belgium/Luxembourg**

Phone +32 (0)2 466 55 66  
E-Mail info@sick.be

**Brasil**

Phone +55 11 3215-4900  
E-Mail sac@sick.com.br

**Canada**

Phone +1 905 771 14 44  
E-Mail information@sick.com

**Ceská Republika**

Phone +420 2 57 91 18 50  
E-Mail sick@sick.cz

**China**

Phone +86 4000 121 000  
E-Mail info.china@sick.net.cn  
Phone +852-2153 6300  
E-Mail ghk@sick.com.hk

**Danmark**

Phone +45 45 82 64 00  
E-Mail sick@sick.dk

**Deutschland**

Phone +49 211 5301-301  
E-Mail kundenservice@sick.de

**España**

Phone +34 93 480 31 00  
E-Mail info@sick.es

**France**

Phone +33 1 64 62 35 00  
E-Mail info@sick.fr

**Great Britain**

Phone +44 (0)1727 831121  
E-Mail info@sick.co.uk

**India**

Phone +91-22-4033 8333  
E-Mail info@sick-india.com

**Israel**

Phone +972-4-6801000  
E-Mail info@sick-sensors.com

**Italia**

Phone +39 02 27 43 41  
E-Mail info@sick.it

**Japan**

Phone +81 (0)3 3358 1341  
E-Mail support@sick.jp

**Magyarország**

Phone +36 1 371 2680  
E-Mail office@sick.hu

**Nederlands**

Phone +31 (0)30 229 25 44  
E-Mail info@sick.nl

**Norge**

Phone +47 67 81 50 00  
E-Mail austefjord@sick.no

**Österreich**

Phone +43 (0)22 36 62 28 8-0  
E-Mail office@sick.at

**Polska**

Phone +48 22 837 40 50  
E-Mail info@sick.pl

**România**

Phone +40 356 171 120  
E-Mail office@sick.ro

**Russia**

Phone +7-495-775-05-30  
E-Mail info@sick.ru

**Schweiz**

Phone +41 41 619 29 39  
E-Mail contact@sick.ch

**Singapore**

Phone +65 6744 3732  
E-Mail admin@sicksgp.com.sg

**Slovenija**

Phone +386 (0)1-47 69 990  
E-Mail office@sick.si

**South Africa**

Phone +27 11 472 3733  
E-Mail info@sickautomation.co.za

**South Korea**

Phone +82 2 786 6321/4  
E-Mail info@sickkorea.net

**Suomi**

Phone +358-9-25 15 800  
E-Mail sick@sick.fi

**Sverige**

Phone +46 10 110 10 00  
E-Mail info@sick.se

**Taiwan**

Phone +886-2-2375-6288  
E-Mail sales@sick.com.tw

**Türkiye**

Phone +90 (216) 528 50 00  
E-Mail info@sick.com.tr

**United Arab Emirates**

Phone +971 (0) 4 8865 878  
E-Mail info@sick.ae

**USA/México**

Phone +1(952) 941-6780  
1 800-325-7425 – tollfree  
E-Mail info@sickusa.com

More representatives and agencies  
at [www.sick.com](http://www.sick.com)