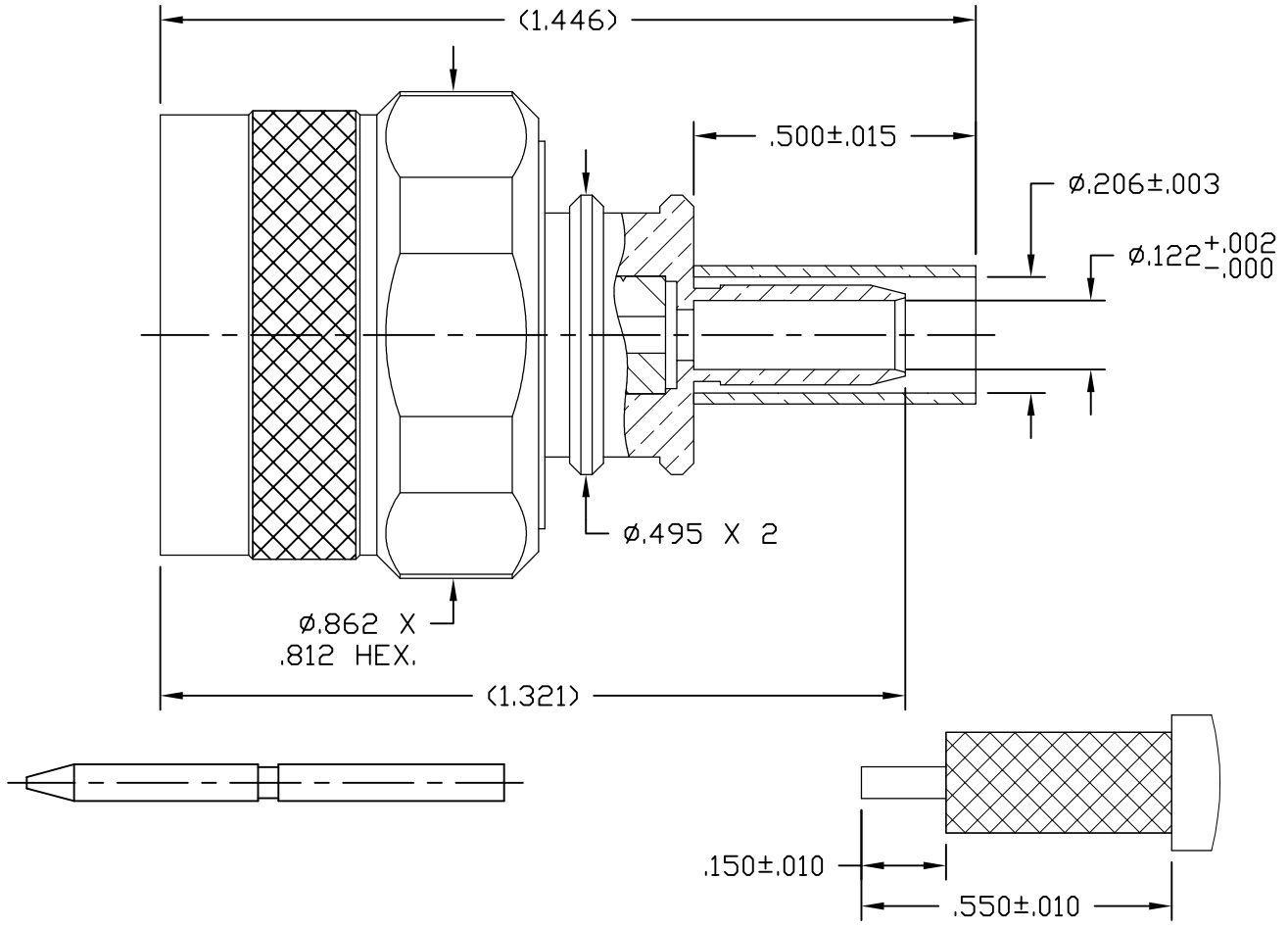


**NOTICE OF PROPRIETARY RIGHTS** THIS DOCUMENT CONTAINS CONFIDENTIAL TECHNICAL DATA, INCLUDING TRADE SECRETS, PROPRIETARY TO TIMES MICROWAVE SYSTEMS. DISCLOSURE OF THIS DATA IS EXPRESSLY CONDITIONED UPON YOUR ASSENT THAT ITS USE IS LIMITED TO USE WITHIN YOUR COMPANY ONLY. ANY OTHER USE IS STRICTLY PROHIBITED WITHOUT THE PRIOR WRITTEN CONSENT OF TIMES MICROWAVE SYSTEMS.

SYM	REVISION DESCRIPTION	DFTM	DATE	APPD	DATE
A	RELEASED FOR PRODUCTION	N. N. N.	1/15/14	J. D. B.	1/15/14
B	CHANGED PER CDC #41149	D. J. H.	11/13/14	J. D. B.	11/20/14



RECOMMENDED STRIP DIMENSIONS

**NOTES:**

1. INTERFACE IS DESIGNED IN ACCORDANCE WITH MIL-STD-348.

**MATERIAL:**

BODY & CONTACT – BRASS PER ASTM B16, C36000 ALLOY, TEMPER H02.  
 INSULATOR – TEFLON PER ASTM D1710, TYPE 1, GRADE 1, CLASS A.  
 SHRINK SLEEVE – HEAT SHRINKABLE ATUM PER MIL-I-23053/4 (NOT SHOWN).  
 CRIMP SLEEVE – D.H.P. COPPER CDA ALLOY #122, TEMPER HARD.  
 GASKET – SILICONE RUBBER PER A-A-59588, 50-75 DUROMETER.  
 LOCKING RING – PHOSPHOR BRONZE PER ASTM B139, C54400 ALLOY, CONDITION HD.

2. FINISHES:

CONTACT – GOLD PLATE PER ASTM B488.  
 CRIMP SLEEVE – SILVER PLATE PER ASTM B700.  
 ALL OTHER METAL PARTS – ALBALLOY PLATE.

MATERIAL:	UNLESS OTHERWISE SPECIFIED		DFTM. N. N. N.	TIMES MICROWAVE SYSTEMS	
	ALL DIMENSIONS ARE IN INCHES MACHINED SURFACES FINISH N/A RMS MAX. REMOVE ALL BURRS .005 MAX. BREAK MACHINE CORNERS .005 MAX. FILLET R. TOLERANCES ON DECIMALS . XX ± .03 . XXX ± .005 ANGLES ± 1° FRACTIONS ± 1/32		DATE 1/15/14		
USED ON: B			CHKD. J. D. B.	<b>TC-195-NMH-X</b> "N" MALE FOR LMR-195 CABLE (SOLDER/CRIMP)	
			DATE 1/15/14		
SCALE: NONE	DWG. SIZE A	DO NOT SCALE DRAWING	CODE IDENT 68999	APPD. J. D. B.	SHEET 1 of 1
				DATE 1/15/14	
					REV B

# Mouser Electronics

Authorized Distributor

Click to View Pricing, Inventory, Delivery & Lifecycle Information:

[Amphenol:](#)

[TC-195-NMH-X](#)